

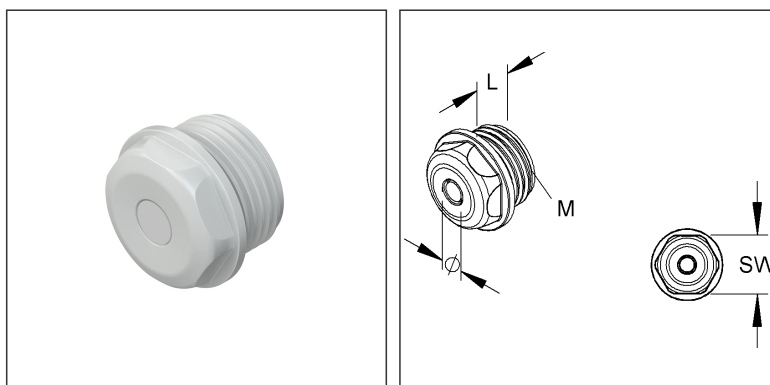
## Sealing Plug

with metric connection thread to DIN EN 60423, closed, with easily puncturable cable entry membrane

**1485M20**

EAN Code: 4011126366839

the photorealistic images are to be considered as reference images



### Article Description

Sealing plug, M20, for cable-Ø 9-12 mm, Kunststoff PE, RAL 7035, lichtgrau

### Additional Price Information

Article group	K104
---------------	------

### Weight

Weight per quantity unit	3 g
Weight in kg per 100	0,2 kg

# Technical Datasheet

## Cable glands

1485M20

the photorealistic images are to be considered as reference images

### Physical Article Dimensions

Height	16.50 mm
Width	24.00 mm
Depth/length	24.00 mm
Diameter	24.00 mm

### Packing Dimension

<b>1 piece = 1 piece</b>		✓ VP1-smallest packaging unit ( PU)			
Lenght	24.00 mm	Width	24.00 mm	Height	17.00 mm
Gross weight	0 kg	Volume	0,000 m <sup>3</sup>		
Min. quantity	1	Max. Quantity	1		

<b>100 pieces = 1</b>		✓ VP2-preferred PU			
Height	71.00 mm	Width	138.00 mm	Lenght	154.00 mm
Gross weight	0,26 kg	Volume	0,002 m <sup>3</sup>		
Min. Quantity	100.00	Max. Quantity	100.00		

<b>1000 covering boxes = 1 piece</b>					
Lenght	370 mm	Width	282 mm	Height	158.00 mm
Gross weight	2,88 kg	Volume	0,016 m <sup>3</sup>		
Min. Quantity	1.000.00	Max. Quantity	1.000.00		

### Tender Text

Sealing plug, closed, with easily pierced cable entry membrane, with metric connection thread to DIN EN 60423, halogen-free.

Nominal size : M 20

for cable-Ø : 9 - 12 mm

Connection thread length : 10 mm

Width across flats : 20 mm

Glow wire test acc. to DIN EN 60695-2-10+11/VDE 0471-2-10+11: 650°

Protection class : IP54

Application temperature range : -40° to 80°C

Material : Polyethylene

Colour : light grey RAL: 7035 (similar)

Kleinhuis Model-No. : 1485M20

EP Material \_\_\_\_\_ EP Wage \_\_\_\_\_

Unit price/piece

### Safety & Environment

REACH Date	23.01.2024
REACH Info	Conformable
RoHS Info	Conformable

### Origin & International Trade

Country of origin	DE
Customs tariff number	39269097