

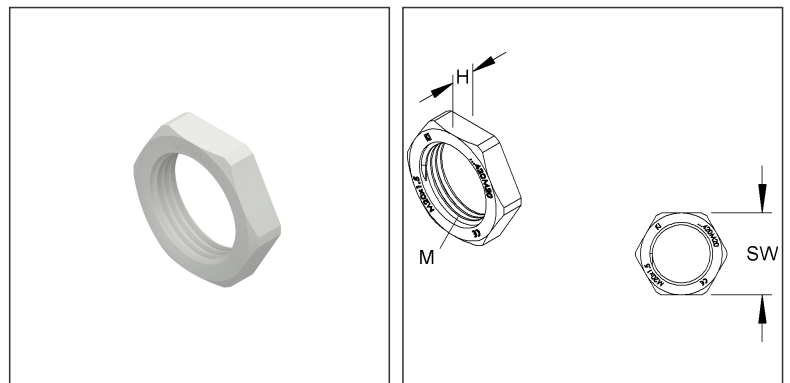
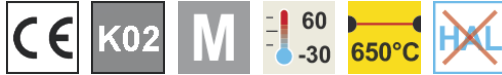
Hexagon Nut

with metric internal thread to DIN EN 60423

3420M16

EAN Code: 4011126372670

the photorealistic images are to be considered as reference images



Article Description

Hexagon nut, M16, height 5 mm, Kunststoff PS, RAL 7035, lichtgrau

Additional Price Information

Article group	K104
---------------	------

Weight

Weight per quantity unit	2 g
Weight in kg per 100	0,11 kg

Physical Article Dimensions

Height	5.00 mm
Width	25.00 mm
Depth/length	25.00 mm
Diameter	25.00 mm

Technical Datasheet

Cable glands

3420M16

the photorealistic images are to be considered as reference images

Packing Dimension

1 piece = 1 piece		✓ VP1-smallest packaging unit (PU)			
Lenght	25.00 mm	Width	25.00 mm	Height	5.00 mm
Gross weight	0 kg	Volume	0,000 m ³		
Min. quantity	1	Max. Quantity	1		
100 pieces = 1		✓ VP2-preferred PU			
Height	72.00 mm	Width	91.00 mm	Lenght	106.00 mm
Gross weight	0,14 kg	Volume	0,001 m ³		
Min. Quantity	100.00	Max. Quantity	100.00		
1000 covering boxes = 1 piece					
Lenght	376 mm	Width	186.00 mm	Height	110.00 mm
Gross weight	1,6 kg	Volume	0,008 m ³		
Min. Quantity	1.000.00	Max. Quantity	1.000.00		

Tender Text

Hexagon nut, with metric internal thread according to DIN EN 60423, halogen-free.
Tightening of the hexagon nut is only recommended by hand!
Nominal size : M 16 Height : 5 mm
Width across flats : 22 mm
Glow wire test acc. to DIN EN 60695-2-10+11/VDE 0471-2-10+11: 650°
Application temperature range : -30° to 60°C
Material : Polystyrene
Colour: light grey RAL: 7035 (similar)
Kleinhuis Model-No. : 3420M16
EP Material_____ EP Wage_____
Unit price/piece

Safety & Environment

REACH Date	23.01.2024
REACH Info	Conformable
RoHS Info	Conformable

Origin & International Trade

Country of origin	DE
Customs tariff number	39269097