

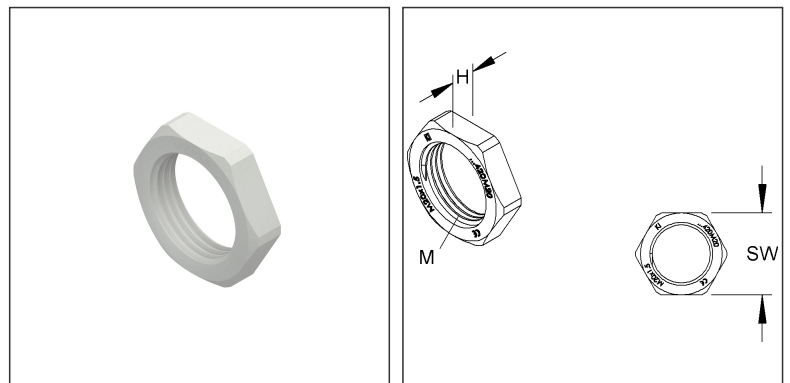
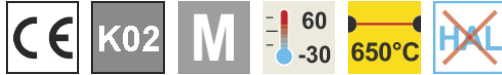
Hexagon Nut

with metric internal thread to DIN EN 60423

3420M50

EAN Code: 4011126372724

the photorealistic images are to be considered as reference images



Article Description

Hexagon nut, M50, height 8 mm, Kunststoff PS, RAL 7035, lichtgrau

Additional Price Information

Article group	K104
---------------	------

Weight

Weight per quantity unit	8 g
Weight in kg per 100	0,79 kg

Physical Article Dimensions

Height	8.00 mm
Width	67.00 mm
Depth/length	67.00 mm
Diameter	67.00 mm

Technical Datasheet

Cable glands

3420M50

the photorealistic images are to be considered as reference images

Packing Dimension

1 piece = 1 piece		✓ VP1-smallest packaging unit (PU)			
Lenght	67.00 mm	Width	67.00 mm	Height	8.00 mm
Gross weight	0,01 kg	Volume	0,000 m ³		
Min. quantity	1	Max. Quantity	1		
25 pieces = 1		✓ VP2-preferred PU			
Height	71.00 mm	Width	128.00 mm	Lenght	138.00 mm
Gross weight	0,26 kg	Volume	0,001 m ³		
Min. Quantity	25.00	Max. Quantity	25.00		
250 covering boxes = 1 piece					
Lenght	375 mm	Width	282 mm	Height	133.00 mm
Gross weight	2,77 kg	Volume	0,014 m ³		
Min. Quantity	250.00	Max. Quantity	250.00		

Tender Text

Hexagon nut, with metric internal thread according to DIN EN 60423, halogen-free.
Tightening of the hexagon nut is only recommended by hand!
Nominal size : M 50 Height : 8 mm
Width across flats : 60 mm
Glow wire test acc. to DIN EN 60695-2-10+11/VDE 0471-2-10+11: 650°
Application temperature range : -30° to 60°C
Material : Polystyrene
Colour: light grey RAL: 7035 (similar)
Kleinhuis Model-No. : 3420M50
EP Material_____ EP Wage_____
Unit price/piece

Safety & Environment

REACH Date	23.01.2024
REACH Info	Conformable
RoHS Info	Conformable

Origin & International Trade

Country of origin	DE
Customs tariff number	39269097