

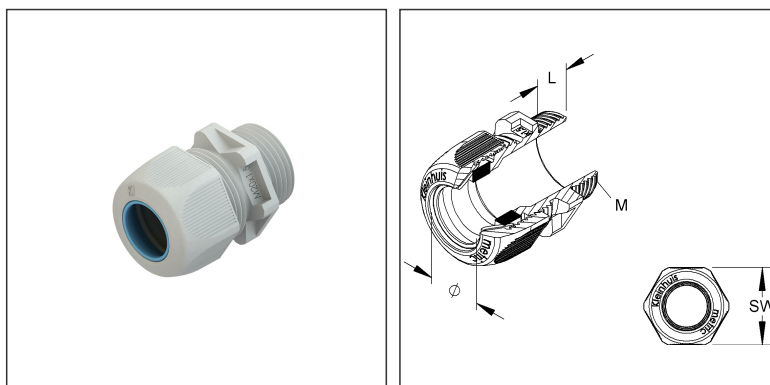
## Metric®-Cable Gland

tested acc. to DIN EN 62444, with metric connecting thread acc. to DIN EN 60423

### 350M16

EAN Code: 4011126369724

the photorealistic images are to be considered as reference images



### Article Description

Metric®-cable gland, M16, for cable-Ø 5-9 mm, Kunststoff PS, RAL 7035, lichtgrau

### Additional Price Information

Article group	K104
---------------	------

### Weight

Weight per quantity unit	7 g
Weight in kg per 100	0,63 kg

### Physical Article Dimensions

Height	23.00 mm
Width	23.00 mm
Depth/length	32.00 mm
Diameter	23.00 mm

# Technical Datasheet

## Cable glands

350M16

the photorealistic images are to be considered as reference images

### Packing Dimension

<b>1 piece = 1 piece</b>		✓ VP1-smallest packaging unit ( PU)			
Lenght	32.00 mm	Width	23.00 mm	Height	23.00 mm
Gross weight	0,01 kg	Volume	0,000 m <sup>3</sup>		
Min. quantity	1	Max. Quantity	1		
<b>50 pieces = 1</b>		✓ VP2-preferred PU			
Height	71.00 mm	Width	96.00 mm	Lenght	138.00 mm
Gross weight	0,36 kg	Volume	0,001 m <sup>3</sup>		
Min. Quantity	50.00	Max. Quantity	50.00		
<b>500 covering boxes = 1 piece</b>					
Lenght	370 mm	Width	282 mm	Height	100.00 mm
Gross weight	3,81 kg	Volume	0,010 m <sup>3</sup>		
Min. Quantity	500.00	Max. Quantity	500.00		

### Tender Text

metric cable gland tested to DIN EN 62444, with metric connection thread to DIN EN 60423, halogen-free, connection thread sealing ring 987M...please order separately. Tightening of the cable gland is only recommended by hand!  
VDE certified!  
Nominal size : M 16  
for cable-Ø : 5 - 9 mm  
Connection thread length : 8 mm  
Width across flats : 21 mm  
Glow wire test acc. to DIN EN 60695-2-10+11/VDE 0471-2-10+11: 650°C  
Protection class : IP54  
Application temperature range : -30° to 60°C  
Gland body  
material : Polystyrene  
Sealing ring material : SBR/NBR Compression ring material : POM  
(Polyoxymethylene)  
Colour : Light grey RAL: 7035 (similar)  
Kleinhaus Model-No. : 350M16 EP : 350M16  
EP Material\_\_\_\_\_ EP Wage\_\_\_\_\_  
Unit price/piece

### Safety & Environment

REACH Date	23.01.2024
REACH Info	Conformable
RoHS Info	Conformable

### Origin & International Trade

Country of origin	DE
Customs tariff number	39269097