

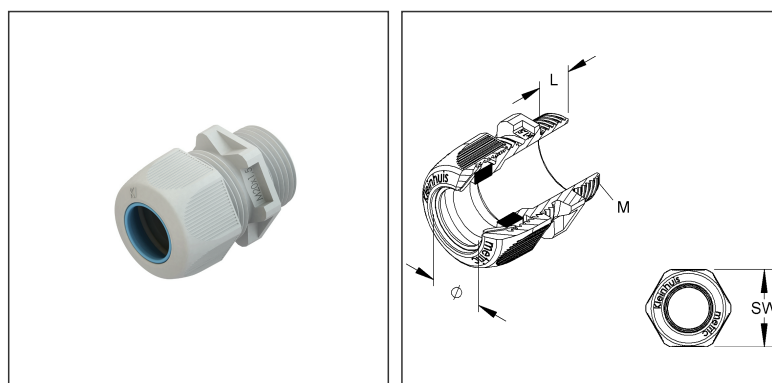
## Metric®-Cable Gland

tested acc. to DIN EN 62444, with metric connecting thread acc. to DIN EN 60423

### 350M20

EAN Code: 4011126369731

the photorealistic images are to be considered as reference images



### Article Description

Metric®-cable gland, M20, for cable-Ø 8-13 mm, Kunststoff PS, RAL 7035, lichtgrau

### Additional Price Information

Article group	K104
---------------	------

### Weight

Weight per quantity unit	10 g
Weight in kg per 100	0,96 kg

### Physical Article Dimensions

Height	28.00 mm
Width	28.00 mm
Depth/length	36.50 mm
Diameter	28.00 mm

# Technical Datasheet

## Cable glands

350M20

the photorealistic images are to be considered as reference images

### Packing Dimension

<b>1 piece = 1 piece</b>		✓ VP1-smallest packaging unit ( PU)			
Lenght	37.00 mm	Width	28.00 mm	Height	28.00 mm
Gross weight	0,01 kg	Volume	0,000 m <sup>3</sup>		
Min. quantity	1	Max. Quantity	1		
<b>50 pieces = 1</b>		✓ VP2-preferred PU			
Height	71.00 mm	Width	138.00 mm	Lenght	154.00 mm
Gross weight	0,54 kg	Volume	0,002 m <sup>3</sup>		
Min. Quantity	50.00	Max. Quantity	50.00		
<b>500 covering boxes = 1 piece</b>					
Lenght	370 mm	Width	282 mm	Height	158.00 mm
Gross weight	5,65 kg	Volume	0,016 m <sup>3</sup>		
Min. Quantity	500.00	Max. Quantity	500.00		

### Tender Text

metric cable gland tested to DIN EN 62444, with metric connection thread to DIN EN 60423, halogen-free, connection thread sealing ring 987M...please order separately. Tightening of the cable gland is only recommended by hand!  
 VDE certified!  
 Nominal size : M 20  
 for cable-Ø : 8 - 13 mm  
 Connection thread length : 9,5 mm  
 Width across flats : 25 mm  
 Glow wire test acc. to DIN EN 60695-2-10+11/VDE 0471-2-10+11: 650°C  
 Protection class : IP54  
 Application temperature range : -30° to 60°C  
 Gland body  
 material : Polystyrene  
 Sealing ring material : SBR/NBR Compression ring material : POM  
 (Polyoxymethylene)  
 Colour: light grey RAL: 7035 (similar)  
 Kleinhuis Model-No. : 350M20 EP : 350M20  
 EP Material\_\_\_\_\_ EP Wage\_\_\_\_\_  
 Unit price/piece

### Safety & Environment

REACH Date	23.01.2024
REACH Info	Conformable
RoHS Info	Conformable

### Origin & International Trade

Country of origin	DE
Customs tariff number	39269097