

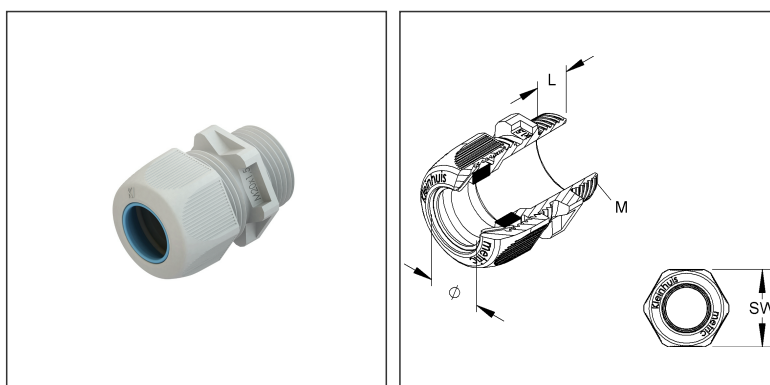
Metric®-Cable Gland

tested acc. to DIN EN 62444, with metric connecting thread acc. to DIN EN 60423

350M25

EAN Code: 4011126369748

the photorealistic images are to be considered as reference images



Article Description

Metric®-cable gland, M25, for cable-Ø 10-16 mm, Kunststoff PS, RAL 7035, lichtgrau

Additional Price Information

Article group	K104
---------------	------

Weight

Weight per quantity unit	14 g
Weight in kg per 100	1,36 kg

Physical Article Dimensions

Height	33.00 mm
Width	33.00 mm
Depth/length	40.00 mm
Diameter	33.00 mm

Technical Datasheet

Cable glands

350M25

the photorealistic images are to be considered as reference images

Packing Dimension

1 piece = 1 piece		✓ VP1-smallest packaging unit (PU)			
Lenght	40.00 mm	Width	33.00 mm	Height	33.00 mm
Gross weight	0,01 kg	Volume	0,000 m ³		
Min. quantity	1	Max. Quantity	1		
50 pieces = 1		✓ VP2-preferred PU			
Height	70.00 mm	Width	154.00 mm	Lenght	278 mm
Gross weight	0,8 kg	Volume	0,003 m ³		
Min. Quantity	50.00	Max. Quantity	50.00		
500 covering boxes = 1 piece					
Lenght	370 mm	Width	282 mm	Height	316 mm
Gross weight	8,34 kg	Volume	0,033 m ³		
Min. Quantity	500.00	Max. Quantity	500.00		

Tender Text

metric cable gland tested to DIN EN 62444, with metric connection thread to DIN EN 60423, halogen-free, connection thread sealing ring 987M...please order separately. Tightening of the cable gland is only recommended by hand!
 VDE certified!
 Nominal size : M 25
 for cable-Ø : 10 - 16 mm
 Connection thread length : 10 mm
 Width across flats : 30 mm
 Glow wire test acc. to DIN EN 60695-2-10+11/VDE 0471-2-10+11: 650°C
 Protection class : IP54
 Application temperature range : -30° to 60°C
 Gland body
 material : Polystyrene
 Sealing ring material : SBR/NBR Compression ring material : POM
 (Polyoxymethylene)
 Colour : Light grey RAL: 7035 (similar)
 Kleinhuis Model-No. : 350M25 EP : 350M25
 EP Material_____ EP Wage_____
 Unit price/piece

Safety & Environment

REACH Date	23.01.2024
REACH Info	Conformable
RoHS Info	Conformable

Origin & International Trade

Country of origin	DE
Customs tariff number	39269097