

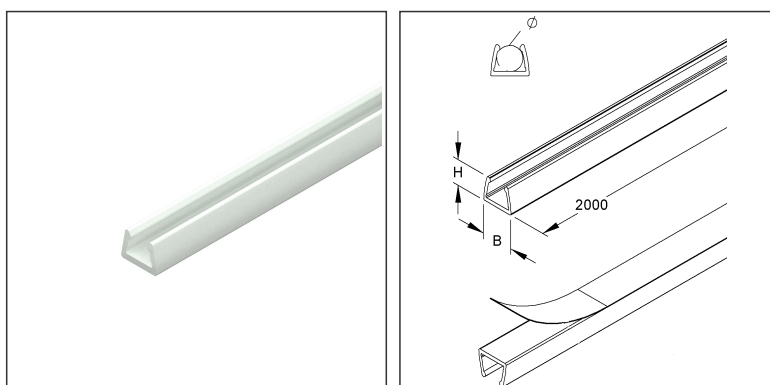
**LC-Mini Channel**

with double-sided adhesive tape

**LC57**

EAN Code: 4011126075267

the photorealistic images are to be considered as reference images



**Article Description**

LC-mini channel, for 1 line, 7,5x9,5x2000 mm, Kunststoff PVC-hart, Farbe transparent

**Additional Price Information**

Article group	K649
---------------	------

**Weight**

Weight per quantity unit	39 g
Weight in kg per 100	3,85 kg

**Physical Article Dimensions**

Height	7.50 mm
Width	9.50 mm
Depth/length	2000 mm

# Technical Datasheet

## Cable routing duct

LC57

the photorealistic images are to be considered as reference images

### Packing Dimension

<b>2 meters = 1 piece</b>		✓ VP1-smallest packaging unit ( PU)			
Lenght	2000 mm	Width	10.00 mm	Height	8.00 mm
Gross weight	0,08 kg	Volume	0,000 m <sup>3</sup>		
Min. quantity	2	Max. Quantity	2		
<b>200 meters = 1</b>		✓ VP2-preferred PU			
Lenght	2010 mm	Width	120.00 mm	Height	60.00 mm
Gross weight	8,21 kg	Volume	0,014 m <sup>3</sup>		
Min. Quantity	200.00	Max. Quantity	200.00		
<b>16800 meters = 1 rack</b>					
Lenght	2090 mm	Width	1055 mm	Height	1090 mm
Gross weight	770 kg	Volume	2,403 m <sup>3</sup>		
Min. Quantity	16.800.00	Max. Quantity	16.800.00		

### Tender Text

LC mini channel, with double-sided adhesive tape, for one cable, halogen-containing.

Dimensions (approx.) H x W : 7.5 x 9.5 mm

Capacity : Ø 5 - 7.5 mm

Delivery length L : 2000 mm

Usable cross-section : 44 mm<sup>2</sup>

Material : PVC-hard (polyvinyl chloride)

Colour : transparent

Kleinhuis Model-No. : LC57

EP Material\_\_\_\_\_ EP Wage\_\_\_\_\_

Unit price/piece

### Safety & Environment

REACH Date	23.01.2024
REACH Info	Conformable
RoHS Info	Conformable

### Origin & International Trade

Country of origin	DE
Customs tariff number	39259020